

IRONAWAY®



A SPACE SAVING BUILT-IN
CONVENIENCE

CONTENTS



Mailing Address:
IRON-A-WAY Inc.
220 W. Jackson
Morton, IL 61550

Toll Free
1-800-536-9495

Phone
309.266.7232

Fax
309.266.5088

General Inquiries
info@ironaway.com

Sales Inquiries
sales@ironaway.com



PAGE 4
FEATURES

PAGE 9
PRODUCT BENEFITS

PAGE 10
PRODUCT LINE

PAGE 11
46" IRONING CENTERS

PAGE 14
42" IRONING CENTERS

PAGE 18
SPECIALTY IRONING CENTERS

PAGE 21
SPECIFICATIONS

PAGE 34
INSTALLATION INSTRUCTIONS

PAGE 40
ABOUT US

FEATURES

Spotlight

Silent
Timer

Electrical
Cord Cover or

Electrical
Cord Wrap
(description
on opposite
side)

Garment Bar

Premium
Hot Iron
Storage

Storage
Shelves

Hot Iron Rest

Swivel Option



Spotlight - Do you want to create an environment that provides optimal surroundings when ironing?

Our spotlight will enhance your ability to iron out those sometimes hard to spot creases and crevices not found when ironing garments in insufficiently lit areas.



Silent Timer - No reason to worry if you're temporarily called away or unable to continue your ironing!

The solid-state, silent timer offers safety and convenience. Just set the dial to the desired time. The On/Off indicator will let you know the power is on. Power shuts off automatically once the time has expired. If you're called away, just place your hot iron into the hot iron storage and lift the board into the upright position, the electrical safety switch disconnects power instantly.



Electrical Cord Cover or Electrical Cord Wrap with restraints - These features allow for only the amount of cord required to iron by using the electrical cord cover or wrap. You can easily guide the iron and eliminate the excess cord from getting in your way.



Garment Bar - If you have more than just a few garments to iron, the garment bar holds multiple clothes hangers. This makes it more convenient to perform continuous ironing.



Please refer to the Product Line section using the Model's Standard and Optional feature's chart to determine which of these features is standard or available as an option.

Premium Hot Iron Storage - Being able to store your iron within the cabinet is an extreme priority. Iron manufacturers have continually increased the overall dimensions of irons in the market at present compared to those ten years ago. The current storage compartment has recently been deepened and length extended to accommodate most irons in the market today.

There's no reason to let the iron cool down, the insulated heat shield allows for immediate shelving. This is not only convenient, but the location keeps the iron out of children's reach.



Storage Shelves - All recessed models include an additional storage shelf, our 46" ironing boards includes two storage shelves. This allows you to keep all your ironing aids in one handy location.

Hot Iron Rest - Most of us use the back end of the board when resting our iron to move garments. By adding the hot iron rest, you can quickly rest the iron and make adjustments allowing more useable space on the ironing board surface when making your garment adjustments.



Swivel Option - When adding the adjustable swivel feature to your chosen model, you are creating the maximum overall flexibility. This not only allows you to iron clothes easily off the back end of the board, but you open up more standing/working space by having the ability to move the nose of board left or right.



Please refer to the Product Line section using the Model's Standard and Optional feature's chart to determine which of these features is standard or available as an option.



DOOR SELECTIONS



**Wood Flat Door
(Maple Veneer)**

All models come standard with a wood door.

All wood doors come unfinished and can be stained or painted to match your decor.

White doors do not require finishing.

Mirror is full length, 1/4" plated glass with polished edge.

No door option is available to match your cabinetry. No door hardware is included (must order separately if desired.)



White Flat



White Raised



Oak Raised



Maple Raised



Pine Raised



Mirror

METAL DOOR OVERLAYS



**Wood Flat Door
(Maple Veneer)**

All models come standard with a wood door.

Metal Door Overlays come painted and ready to install over the standard wood door.

Metal Door Overlay attaches to front of wood door with permanent mounting tape.

Metal Door Overlay shipped separately.



**White Metal Door
Overlay**



**Biscuit Metal Door
Overlay**



**Charcoal Metal Door
Overlay**



**Black Metal Door
Overlay**



**Stainless Steel Metal
Door Overlay**

Metal Door Overlay will be shipped in separate carton and will arrive on a different shipment than actual unit.

Actual color may vary slightly from manufacturer.

For more than 58 years, IRON-A-WAY has been manufacturing built-in ironing centers.



Why IRON-A-WAY

Consistency in both design and performance should be a major consideration when choosing the right ironing center for your home. The complete IRON-A-WAY product line works together in form and function to produce the same level of excellence with each model. It's something IRON-A-WAY calls product integrity.

IRON-A-WAY is a company that offers a variety of premium built-in ironing centers--so IRON-A-WAY is a company that can offer truly consistent design, while delivering the quality and performance that makes IRON-A-WAY a true market leader. Models differentiate in options and exceptional features, but all models are crafted using the same quality materials. This enables you the flexibility to choose the ironing center that truly fits your needs. Whether you must have the greatest conveniences offered or the budget conscious whose main thrust is function, IRON-A-WAY has a model to match your mindset.

PRODUCT BENEFITS

PRODUCT LINE

46" Ironing Boards





The Model **AE-46** features a spring activated **adjustable swivel** along with **electrical** features that include a motor timer, outlet, and safety disconnect switch and a **46"** ironing board.

The premium length board coupled with the adjustable swivel creates the overall maximum flexibility and a 4-inch height adjustment lets you choose the most comfortable ironing board height. The sixty-minute motor timer turns on power to the built-in work light and the electrical outlet. The electrical cord cover and restraints help guide the cord over the board, eliminating potential snags. You can leave your iron plugged in at all times and when finished, store it while hot. A built-in safety switch disconnects all power when the board is returned to the upright position. The increased hot iron storage compartment allows for storage of most irons.

The **ANE-46** (not shown) includes the **adjustable swivel**, but is **non-electrical** with a 46" ironing board requiring a nearby outlet to plug in your iron.

IRONING CENTER

Standard and optional features

COMPONENT	MODEL AE-46
Ironing Board	46" Ventilated Steel
Adjustable Swivel	4" Vertical Adjustment
Hot Iron Storage	Standard
Storage Shelves	Standard
Full Length Piano Hinge	Standard
Ironing Board Cover & Pad	Standard
Electrical System	Motor Timer, Safety Door Switch, Appliance Outlet, Indicator Light
Hot Iron Rest	Standard
Electrical Cord Cover	Standard
Garment Bar	Standard
Spotlight (Less Bulb)	Standard
Steam/Dry Iron	Optional
Sleeve Board	Optional
Surface Mount Trim	Optional
Mirror and Brackets	Optional
Wood Veneer Door **	Standard
Oak Raised Panel Door **	Optional
Maple Raised Panel Door **	Optional
Pine Raised Panel Door **	Optional
White Raised Panel Door **	Optional
White Flat Door **	Optional
No Door ****	Optional
Interior Color	Cool Gray
Exterior Finish	Unfinished
Outside Dimensions	15" x 60 5/8" x 7 3/4"
Rough-In Opening Size	14 3/8" x 59 7/8" x 3 7/8"
Outside Door Dimensions	15" x 60 5/8" x 3/4"

** All units can be provided with a left hinge upon request. Right hinge standard.

*** Door hardware not included (Piano Hinge, Garment Bar and Roller Catch.)

Model **AE-46** & **ANE-46**



IRONING CENTER

Standard and optional features

COMPONENT	MODEL E-46
Ironing Board	46" Ventilated Steel
Adjustable Swivel	(Order Model AE-46)
Hot Iron Storage	Standard
Storage Shelves	Standard
Full Length Piano Hinge	Standard
Ironing Board Cover & Pad	Standard
Electrical System	Motor Timer, Safety Door Switch, Appliance Outlet, Indicator Light
Hot Iron Rest	Standard
Electrical Cord Cover	Standard
Garment Bar	Standard
Spotlight (Less Bulb)	Standard
Steam/Dry Iron	Optional
Sleeve Board	Optional
Surface Mount Trim	Optional
Mirror and Brackets	Optional
Wood Veneer Door **	Standard
Oak Raised Panel Door **	Optional
Maple Raised Panel Door **	Optional
Pine Raised Panel Door **	Optional
White Raised Panel Door **	Optional
White Flat Door **	Optional
No Door ****	Optional
Interior Color	Cool Gray
Exterior Finish	Unfinished
Outside Dimensions	15" x 60 5/8" x 7 3/4"
Rough-In Opening Size	14 3/8" x 59 7/8" x 3 7/8"
Outside Door Dimensions	15" x 60 5/8" x 3/4"

The **E-46** is an **electrical** model that includes a motor timer, outlet and safety disconnect switch along with a fixed position **46"** ironing board.

The premium length board coupled with the ventilated top provides an excellent surface for steam ironing. The sturdy double telescoping steel support legs provide for outstanding stability. The sixty-minute motor timer turns on power to the built-in work light and the electrical outlet. The electrical cord cover and restraints help guide the cord over the board, eliminating potential snags. You can leave your iron plugged in at all times and when finished, store it while hot. A built-in safety switch disconnects all power when the board is returned to the upright position. The increased hot iron storage compartment allows for storage of most irons.

** All units can be provided with a left hinge upon request. Right hinge standard.

*** Door hardware not included. (Piano Hinge, Garment Bar, and Roller Catch).



The **NE-46** is built with the same quality features as the E-46, but is a **non-electrical** model with a fixed position **46"** ironing board requiring a nearby outlet to plug in your iron.

The premium length board coupled with the ventilated top provides an excellent surface for steam ironing. The sturdy double telescoping steel support legs provide for outstanding stability. When finished ironing, you can store the iron while still hot. The oversized iron storage area will hold the majority of irons being sold today. The Hot Iron Rest is the perfect spot to rest a warm iron and prevent scorching when adjusting garments for continued ironing.

The **ANE-46** (not shown) includes the **adjustable swivel**, but is **non-electrical** with a 46" ironing board requiring a nearby outlet to plug in your iron.

IRONING CENTER

Standard and optional features

COMPONENT	MODEL NE-46
Ironing Board	46" Ventilated Steel with (Order Model ANE-46)
Adjustable Swivel	Standard
Hot Iron Storage	Standard
Storage Shelves	Standard
Full Length Piano Hinge	Standard
Ironing Board Cover & Pad	Standard
Electrical System	Not Available
Hot Iron Rest	Standard
Electrical Cord Cover	Not Available
Garment Bar	Standard
Spotlight (Less Bulb)	Not Available
Steam/Dry Iron	Optional
Sleeve Board	Optional
Surface Mount Trim	Optional
Mirror and Brackets	Optional
Wood Veneer Door **	Standard
Oak Raised Panel Door **	Optional
Maple Raised Panel Door **	Optional
Pine Raised Panel Door **	Optional
White Raised Panel Door **	Optional
White Flat Door **	Optional
No Door ****	Optional
Interior Color	Cool Gray
Exterior Finish	Unfinished
Outside Dimensions	15" x 60 5/8" x 7 3/4"
Rough-In Opening Size	14 3/8" x 59 7/8" x 3 7/8"
Outside Door Dimensions	15" x 60 5/8" x 3/4"

** All units can be provided with a left hinge upon request. Right hinge standard.
 *** Door hardware not included. (Piano Hinge, Garment Bar, and Roller Catch)

PRODUCT LINE

42" Ironing Boards





The Model **AE-42** features a spring activated **adjustable swivel** along with **electrical** features that include a motor timer, outlet, and safety disconnect switch and a **42"** ironing board.

The standard length board coupled with the adjustable swivel creates the overall maximum flexibility and a 4-inch height adjustment lets you choose the most comfortable ironing board height. The sixty-minute motor timer turns on power to the built-in work light and the electrical outlet. The electrical cord wrap and restraints help guide the cord over the board, eliminating potential snags. You can leave your iron plugged in at all times and when finished, store it while hot. A built-in safety switch disconnects all power when the board is returned to the upright position. The increased hot iron storage compartment allows for storage of most irons.

The **ANE-42** (not shown) includes the **adjustable swivel**, but is **non-electrical** with a 42" ironing board requiring a nearby outlet to plug in your iron.

IRONING CENTER

Standard and optional features

COMPONENT	MODEL AE-42
Ironing Board	42" Ventilated Steel
Adjustable Swivel	4" Vertical Adjustment
Hot Iron Storage	Standard
Storage Shelves	Standard
Full Length Piano Hinge	Standard
Ironing Board Cover & Pad	Standard
Electrical System	Motor Timer, Safety Door Switch, Appliance Outlet, Indicator Light
Hot Iron Rest	Optional
Electrical Cord Wrap	Standard
Garment Bar	Standard
Spotlight (Less Bulb)	Standard
Steam/Dry Iron	Optional
Sleeve Board	Optional
Surface Mount Trim	Optional
Mirror and Brackets	Optional
Wood Veneer Door **	Standard
Oak Raised Panel Door **	Optional
Maple Raised Panel Door **	Optional
Pine Raised Panel Door **	Optional
White Raised Panel Door **	Optional
White Flat Door **	Optional
No Door ****	Optional
Interior Color	Cool Gray
Exterior Finish	Unfinished
Outside Dimensions	15" x 52" x 7 3/4"
Rough-In Opening Size	14 3/8" x 51 1/4" x 3 7/8"
Outside Door Dimensions	15" x 52" x 3/4"

** All units can be provided with a left hinge upon request. Right hinge standard.

*** Door hardware not included. (Piano Hinge, Garment Bar, and Roller Catch).

Model **AE-42** & **ANE-42**



IRONING CENTER

Standard and optional features

COMPONENT	MODEL E-42
Ironing Board	42" Ventilated Steel
Adjustable Swivel	(Order Model AE-42)
Hot Iron Storage	Standard
Storage Shelves	Standard
Full Length Piano Hinge	Standard
Ironing Board Cover & Pad	Standard
Electrical System	Motor Timer, Safety Door Switch, Appliance Outlet, Indicator Light
Hot Iron Rest	Optional
Electrical Cord Wrap	Standard
Garment Bar	Standard
Spotlight (Less Bulb)	Standard
Steam/Dry Iron	Optional
Sleeve Board	Optional
Surface Mount Trim	Optional
Mirror and Brackets	Optional
Wood Veneer Door **	Standard
Oak Raised Panel Door **	Optional
Maple Raised Panel Door **	Optional
Pine Raised Panel Door **	Optional
White Raised Panel Door **	Optional
White Flat Door **	Optional
No Door ****	Optional
Interior Color	Cool Gray
Exterior Finish	Unfinished
Outside Dimensions	15" x 52" x 7 3/4"
Rough-In Opening Size	14 3/8" x 51 1/4" x 3 7/8"
Outside Door Dimensions	15" x 52" x 3/4"

The **E-42** is an **electrical** model that includes a motor timer, outlet and safety disconnect switch along with a fixed position **42"** ironing board.

The standard length board coupled with the ventilated top provides an excellent surface for steam ironing. The sturdy telescoping steel support leg provides for outstanding stability. The sixty-minute motor timer turns on power to the built-in work light and the electrical outlet. The electrical cord wrap and restraints help guide the cord over the board, eliminating potential snags. You can leave your iron plugged in at all times and when finished, store it while hot. A built-in safety switch disconnects all power when the board is returned to the upright position. The increased hot iron storage compartment allows for storage of most irons.

** All units can be provided with a left hinge upon request. Right hinge standard.

*** Door hardware not included. (Piano Hinge, Garment Bar, and Roller Catch).



IRONING CENTER

Standard and optional features

COMPONENT	MODEL NE-42
Ironing Board	42" Ventilated Steel
Adjustable Swivel	(Order Model ANE-42)
Hot Iron Storage	Standard
Storage Shelves	Standard
Full Length Piano Hinge	Standard
Ironing Board Cover & Pad	Standard
Electrical System	Not Available
Hot Iron Rest	Optional
Electrical Cord Wrap	Not Available
Garment Bar	Standard
Spotlight (Less Bulb)	Not Available
Steam/Dry Iron	Optional
Sleeve Board	Optional
Surface Mount Trim	Optional
Mirror and Brackets	Optional
Wood Veneer Door **	Standard
Oak Raised Panel Door **	Optional
Maple Raised Panel Door **	Optional
Pine Raised Panel Door **	Optional
White Raised Panel Door **	Optional
White Flat Door **	Optional
No Door ****	Optional
Interior Color	Cool Gray
Exterior Finish	Unfinished
Outside Dimensions	15" x 52" x 7 3/4"
Rough-In Opening Size	14 3/8" x 51 1/4" x 3 7/8"
Outside Door Dimensions	15" x 52" x 3/4"

The **NE-42** is a **non-electric** with a fixed position **42"** ironing board. This model works best in installations where a nearby outlet is available to conveniently plug in your iron.

The standard length board coupled with the ventilated top provides an excellent surface for steam ironing. The sturdy telescoping steel support leg provides for outstanding stability. When finished ironing, there's no reason to let your iron cool down, the insulated heat shield allows for immediate shelving. The increased hot iron storage compartment allows for storage of most irons.

The **ANE-42** (not shown) is **non-electrical** with a 42" ironing board requiring a nearby outlet to plug in your iron and includes the adjustable swivel.

** All units can be provided with a left hinge upon request. Right hinge standard.

*** Door hardware not included. (Piano Hinge, Garment Bar, and Roller Catch)

Model **NE-42**

PRODUCT LINE

Specialty Ironing Boards



IRONAWAY



The **UD-42** is a specialty model that meets **universal design** requirements with a **42"** ironing board. It features upper and lower iron storage so a person in a seated position or standing may comfortably and conveniently use this ironing center.

The standard length board coupled with the adjustable swivel creates the overall maximum flexibility and a 4-inch height adjustment lets you choose the most comfortable ironing board height. The on/off illuminated rocker switch turns on power to the built-in work light and the electrical outlet. The electrical cord wrap and restraints help guide the cord over the board, eliminating potential snags. You can leave your iron plugged in at all times and when finished, store it while hot. A built-in safety switch disconnects all power when the board is returned to the upright position. The increased hot iron storage compartment allows for storage of most irons.

IRONING CENTER

Standard and optional features

COMPONENT	MODEL UD-42
Ironing Board	42" Ventilated Steel
Adjustable Swivel	4" Vertical Adjustment
Hot Iron Storage	Standard
Storage Shelf	Standard
Full Length Piano Hinge	Standard
Ironing Board Cover & Pad	Standard
Electrical System	Rocker Switch with illuminated switch, Safety Door Switch, Appliance Outlet
Hot Iron Rest	Standard
Electrical Cord Wrap	Standard
Garment Bar	Standard
Spotlight (Less Bulb)	Standard
Steam/Dry Iron	Optional
Sleeve Board	Optional
Surface Mount Trim	Optional
Mirror and Brackets	Optional
Wood Veneer Door **	Standard
Oak Raised Panel Door **	Optional
Maple Raised Panel Door **	Optional
Pine Raised Panel Door **	Optional
White Raised Panel Door **	Optional
White Flat Door **	Optional
No Door ****	Optional
Interior Color	Cool Gray
Exterior Finish	Unfinished
Outside Dimensions	15" x 60 5/8" x 7 3/4"
Rough-In Opening Size	14 3/8" x 59 15/16" x 3 7/8"
Outside Door Dimensions	15" x 60 5/8" x 3/4"

** All units can be provided with a left hinge upon request. Right hinge standard.

*** Door hardware not included. (Piano Hinge, Garment Bar, and Roller Catch.



The lower hot iron storage compartment accommodates those who choose to sit while ironing.

Model UD-42



IRONING CENTER

Standard and optional features

COMPONENT	MODEL IAW-42
Ironing Board	42" Ventilated Steel
Adjustable Swivel	Not Available
Hot Iron Storage	Not Available
Storage Shelf	Not Available
Full Length Piano Hinge	Standard
Ironing Board Cover & Pad	Standard
Electrical System	Not Available
Hot Iron Rest	Not Available
Garment Bar	Standard
Spotlight (Less Bulb)	Not Available
Steam/Dry Iron	Optional
Sleeve Board	Optional
Surface Mount Trim	Not Available
Mirror and Brackets	Not Available
Wood Veneer Door **	Standard
Oak Raised Panel Door **	Not Available
Maple Raised Panel Door **	Not Available
Pine Raised Panel Door **	Not Available
White Raised Panel Door **	Not Available
White Flat Door **	Optional
No Door ****	Optional
Interior Color	Cool Gray
Exterior Finish	Unfinished
Outside Dimensions	14 1/2" x 51 1/4" x 3 3/4"
Rough-In Opening Size	14 3/8" x 51 1/4" x 3 7/8"
Outside Door Dimensions	14 1/2" x 51 1/4" x 3/4"

The **IAW-42** is a specialty board that does not include iron storage. When access inside studs is problematic, this model is intended to be **surface mounted** directly to a stud in the wall.

This model can also fit between the studs for **recessed mounting** providing a flush or nearly flush appearance depending upon installation.

** All units can be provided with a left hinge upon request. Right hinge standard.
 *** Door hardware not included. (Piano Hinge, Garment Bar, and Roller Catch)



Once you have decided on the model you want, it's particularly important to review the specifications for that model. You need to verify the intended installation location provides no constraints or you may discover a more appropriate model may fit into the desired location. If you are determined to own a specific model, then the opportunity is still available to explore alternate locations within your home.

Your research and planning will provide your builder or remodeler with a simple and cost effective installation and provide you with adequate space for ironing. Your decision to incorporate a built-in ironing center will manage space, add convenience, and achieve the results you want when ironing with less effort.

SPECIFICATIONS



Product Model Numbers
Ironing Centers: AE-46 and ANE-46

Dimensions (Actual Size)

- Overall height: 60 5/8"
- Overall width: 15"
- Overall depth including door: 7 3/4"
- Dimension from wall to outer edge of door (when recessed): 3 7/8"
- Penetration into opening: 3 7/8"
- Rough opening height: 59 7/8"
- Rough opening width: 14 3/8"
- Wall opening depth: 3 7/8"

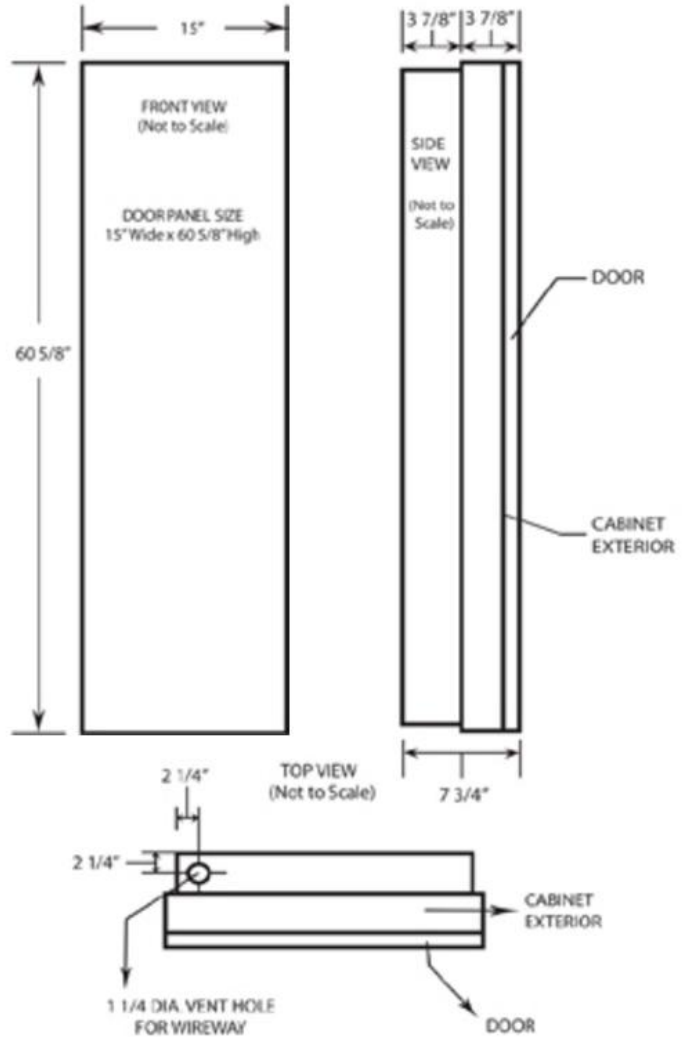
Opening dimensions listed above
Overlap distances when using wall

- Top overlap: 3/8" Right side overlap: 3/8"
- Bottom overlap: 3/8" Left side overlap: 3/8"

Additional Information

- Unit may be surface mounted (unit extends approximately 7 3/4" into room) or recessed (unit extends approximately 3 7/8" into room) into any wall with standard 16" center studs.
- See table bottom right to determine desired ironing board height above the floor. The user can adjust height of board after installation with a 4" differential between a maximum and minimum height.
- Unit can be provided with a left hinged door upon request. Right hinge is standard.
- Comes standard with wood veneer door.
- Electrical requirements for AE-46: 115/120v, 15 amp. Pigtails are provided in bottom of wire raceway for hookup to supply line. Make entrance into knockout provided in top of wire way through left-hand vent hole.
- Electrical requirements for ANE-46: Does not require electricity, non-electric.
- Recommended to attach 2" x 4" cleats to studs, level with the bottom of opening (for support when recessing unit.)
- Door opens approximately 180°. Allow at least 16" to the side of the unit for door to swing open (door hinges on full length piano hinge.)
- Options include: Surface mount trim (necessary for surface mounting), oak, maple, pine, or white raised panel door, flat white door, glass mirrored door, or no door, rough-in kit, and iron.

See Page 2 for additional information



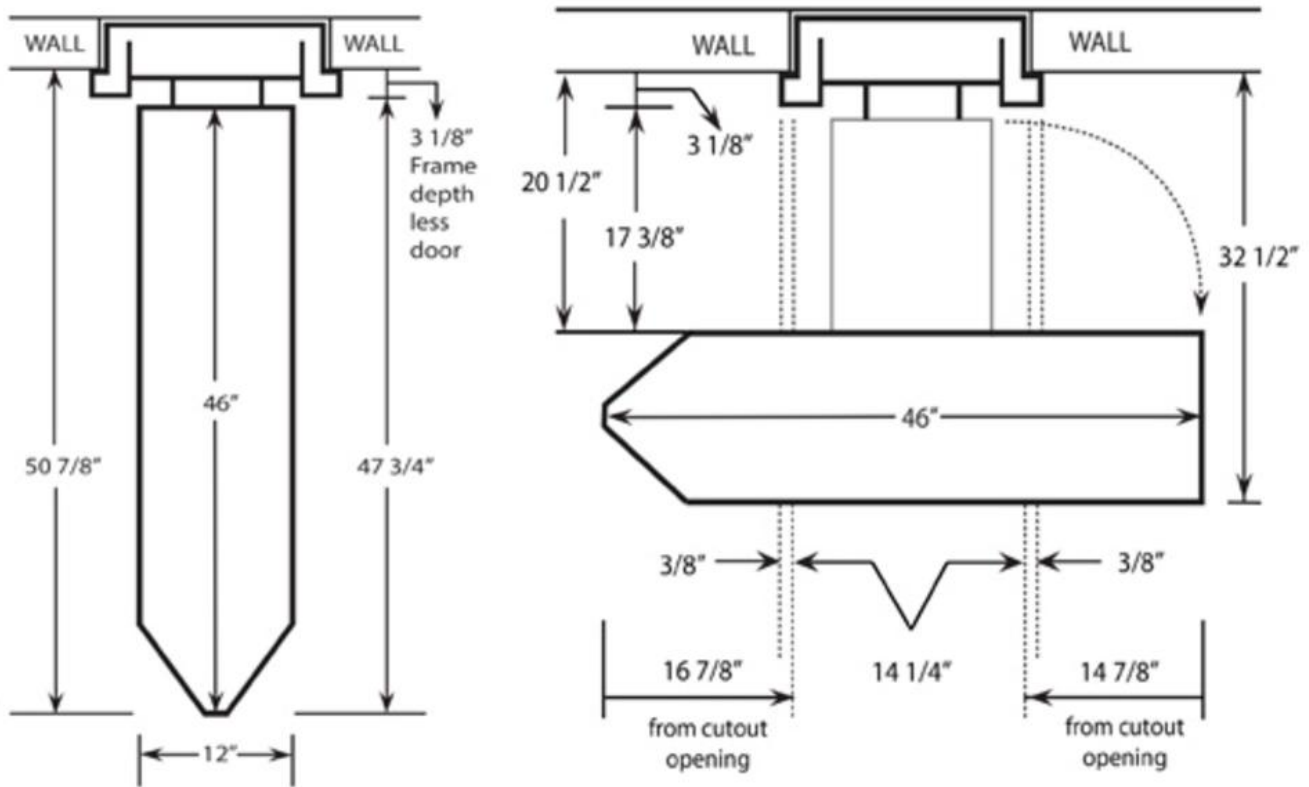
Board automatically engages to low position each time the board is lowered for use. High position requires adjustment and engages back to low position each time the board is put away.

Height Adjustments		
Cut Opening Above floor	Minimum (Default) Position	Maximum (Adjusted) Position
26"	37"	41"
25"	36"	40"
24"	35"	39"
23"	34"	38"
22"	33"	37"
21"	32"	36"

Page 2
Product Model AE-46 and ANE-46
Additional Information

Measurements when board is lowered
 (Not to Scale)

Unit can be provided with a left hinged door upon request. Right hinge is standard. Door opens approximately 180°. Allow at least 16" from side of cabinet. Board can be turned left or right 90° in either direction until parallel with the wall. Additionally, there are conveniently placed stopping points as the board is being turned.



Recommended Adequate Space/Clearance for Ironing

Distance from Wall to tip of Ironing Board	50 7/8"
Swivel Clearance from cutout opening of cabinet	16 7/8"
Distance from Wall in Full Swivel Position	32 1/2"
Standing Area Clearance **	24"

** The recommended distance from the side of the ironing board where the user will typically stand to ensure adequate space for ironing.

Product Model Numbers
Ironing Centers: E-46 and NE-46

Dimensions (Actual Size)

- Overall height: 60 5/8"
- Overall width: 15"
- Overall depth including door: 7 3/4"
- Dimension from wall to outer edge of door (when recessed): 3 7/8"
- Penetration into opening: 3 7/8"
- Rough opening height: 59 7/8"
- Rough opening width: 14 3/8"
- Wall opening depth: 3 7/8"

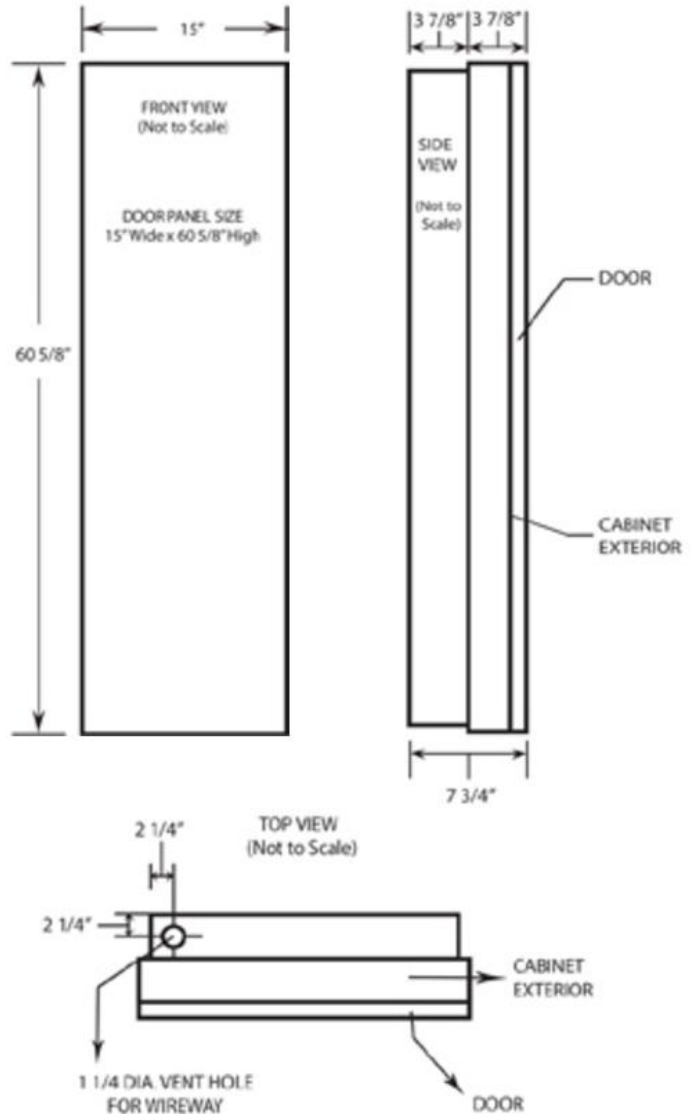
Opening dimensions listed above
Overlap distances when using wall

- Top overlap: 3/8" Right side overlap: 3/8"
- Bottom overlap: 3/8" Left side overlap: 3/8"

Additional Information

- Unit may be surface mounted (unit extends approximately 7 3/4" into room) or recessed (unit extends approximately 3 7/8" into room) into any wall with standard 16" center studs.
- See table bottom right to determine desired ironing board height above the floor.
- Unit can be provided with a left hinged door upon request. Right hinge is standard.
- Comes standard with wood veneer door.
- Electrical requirements for E-46: 115/120v, 15 amp. Pigtales are provided in bottom of wire raceway for hookup to supply line. Make entrance into knockout provided in top of wire way through left-hand vent hole. (Refer to Top View Diagram.)
- Electrical requirements for NE-46: Does not require electricity, non-electric.
- Recommended to attach 2" x 4" cleats to studs, level with the bottom of opening (for support when recessing unit.)
- Door opens approximately 180°. Allow at least 16" to the side of the unit for door to swing open (door hinges on full length piano hinge.)
- Options include: Surface mount trim (necessary for surface mounting), oak, maple, pine, or white raised panel door, flat white door, glass mirrored door, or no door, sleeve board, swivel, rough-in kit, and iron.

See Page 2 for additional information

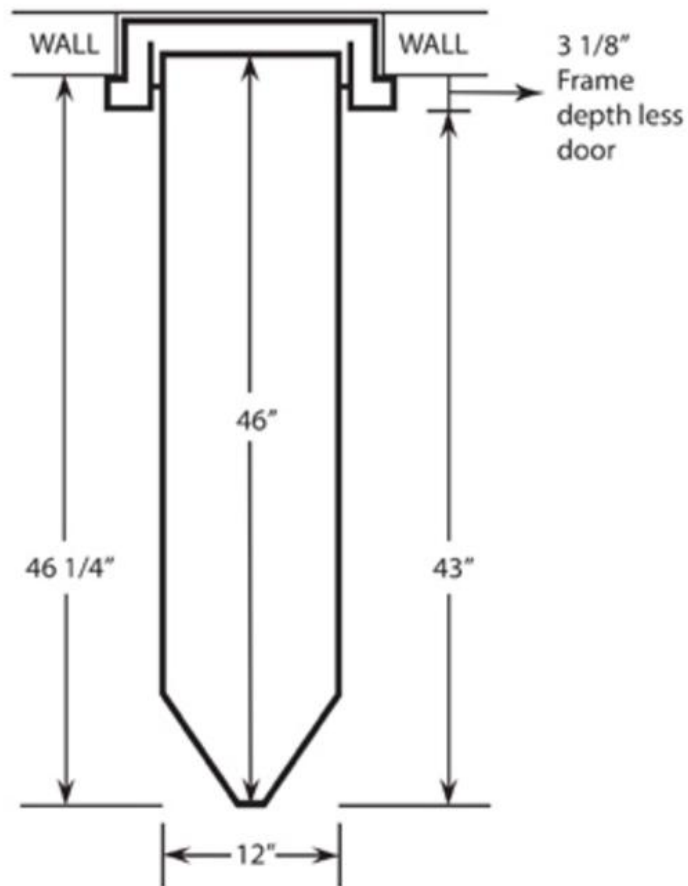


Ironing Board Height	
Cut Opening Above floor	Board Height
27"	38"
26"	37"
25"	36"
24"	35"
23"	34"
22"	33"
21"	32"
20"	31"

Page 2
Product Model E-46 and NE-46
Additional Information

Measurements when board is lowered
 (Not to Scale)

Unit can be provided with a left hinged door upon request. Right hinge is standard. Door opens approximately 180°. Allow at least 16" from side of cabinet.



Recommended Adequate Space/Clearance for Ironing

Distance from Wall to tip of Ironing Board	46 1/4"
Swivel Clearance from cutout opening of cabinet	N/A
Distance from Wall in Full Swivel Position	N/A
Standing Area Clearance **	24"

** The recommended distance from the side of the ironing board where the user will typically stand to ensure adequate space for ironing.

Product Model Numbers
Ironing Centers: AE-42 and ANE-42

Dimensions (Actual Size)

- Overall height: 52"
- Overall width: 15"
- Overall depth including door: 7 3/4"
- Dimension from wall to outer edge of door (when recessed): 3 7/8"
- Penetration into opening: 3 7/8"
- Rough opening height: 51 1/4"
- Rough opening width: 14 3/8"
- Wall opening depth: 3 7/8"

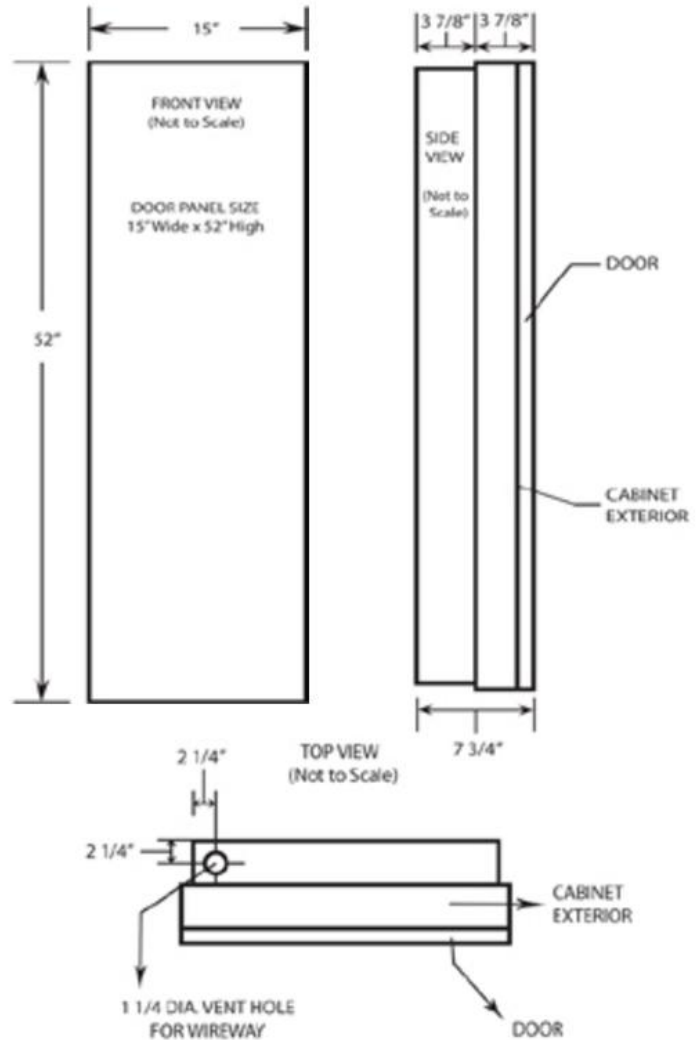
Opening dimensions listed above
Overlap distances when using wall

- Top overlap: 3/8" Right side overlap: 3/8"
- Bottom overlap: 3/8" Left side overlap: 3/8"

Additional Information

- Unit may be surface mounted (unit extends approximately 7 3/4" into room) or recessed (unit extends approximately 3 7/8" into room) into any wall with standard 16" center studs.
- See table bottom right to determine desired ironing board height above the floor. The user can adjust height of board after installation with a 4" differential between a maximum and minimum height.
- Unit can be provided with a left hinged door upon request. Right hinge is standard.
- Comes standard with wood veneer door.
- Electrical requirements for AE-42: 115/120v, 15 amp. Pigtails are provided in bottom of wire raceway for hookup to supply line. Make entrance into knockout provided in top of wire way through left-hand vent hole.
- Electrical requirements for ANE-42: Does not require electricity, non-electric.
- Recommended to attach 2" x 4" cleats to studs, level with the bottom of opening (for support when recessing unit.)
- Door opens approximately 180°. Allow at least 16" to the side of the unit for door to swing open (door hinges on full length piano hinge.)
- Options include: Surface mount trim (necessary for surface mounting), oak, maple, pine, or white raised panel door, flat white door, glass mirrored door, or no door, rough-in kit, and iron.

See Page 2 for additional information



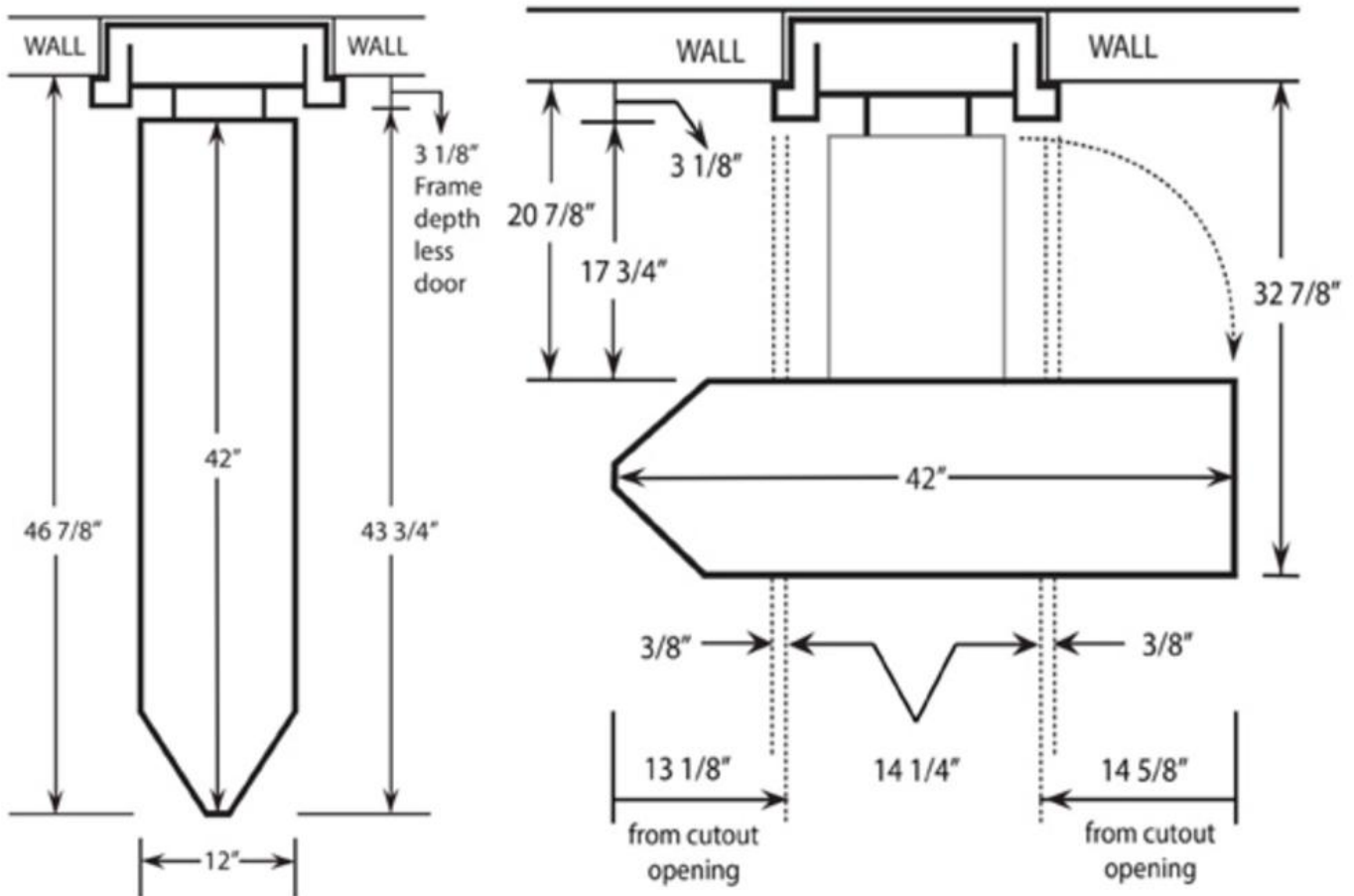
Board automatically engages to low position each time the board is lowered for use. High position requires adjustment and engages back to low position each time the board is put away.

Height Adjustments		
Cut Opening Above floor	Minimum (Default) Position	Maximum (Adjusted) Position
31 "	38"	42"
30"	37"	41"
29 "	36"	40"
28 "	35"	39"
27 "	34"	38"
26 "	33"	37"

Page 2
Product Model AE-42 and ANE-42
Additional Information

Measurements when board is lowered
 (Not to Scale)

Unit can be provided with a left hinged door upon request. Right hinge is standard.
 Door opens approximately 180°. Allow at least 16" from side of cabinet.
 Board can be turned left or right 90° in either direction until parallel with the wall.
 Additionally, there are conveniently placed stopping points as the board is being turned.



Recommended Adequate Space/Clearance for Ironing

Distance from Wall to tip of Ironing Board	46 7/8"
Swivel Clearance from cutout opening of cabinet	14 5/8"
Distance from Wall in Full Swivel Position	32 7/8"
Standing Area Clearance **	24"

** The recommended distance from the side of the ironing board where the user will typically stand to ensure adequate space for ironing.

Product Model Numbers
Ironing Centers: E-42 and NE-42

Dimensions (Actual Size)

- Overall height: 52"
- Overall width: 15"
- Overall depth including door: 7 3/4"
- Dimension from wall to outer edge of door (when recessed): 3 7/8"
- Penetration into opening: 3 7/8"
- Rough opening height: 51 1/4"
- Rough opening width: 14 3/8"
- Wall opening depth: 3 7/8"

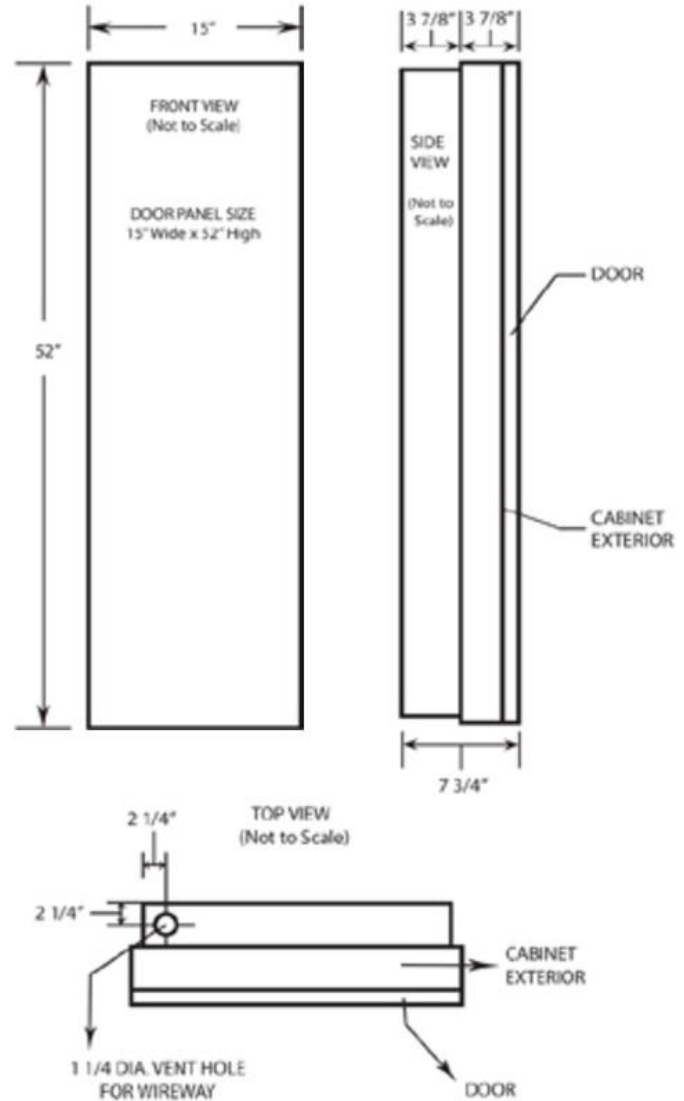
Opening dimensions listed above
Overlap distances when using wall

- Top overlap: 3/8"
- Bottom overlap: 3/8"
- Right side overlap: 3/8"
- Left side overlap: 3/8"

Additional Information

- Unit may be surface mounted (unit extends approximately 7 3/4" into room) or recessed (unit extends approximately 3 7/8" into room) into any wall with standard 16" center studs.
- See table bottom right to determine desired ironing board height above the floor.
- Unit can be provided with a left hinged door upon request. Right hinge is standard.
- Comes standard with wood veneer door.
- Electrical requirements for E-42: 115/120v, 15 amp. Pigtails are provided in bottom of wire raceway for hookup to supply line. Make entrance into knockout provided in top of wire way through left-hand vent hole.
- Electrical requirements for NE-42: Does not require electricity, it is non-electric.
- Recommended to attach 2" x 4" cleats to studs, level with the bottom of opening (for support when recessing unit.)
- Door opens approximately 180°. Allow at least 16" to the side of the unit for door to swing open (door hinges on full length piano hinge.)
- Options include: Surface mount trim (necessary for surface mounting), oak, maple, pine, or white raised panel door, flat white door, glass mirrored door, or no door, sleeve board, swivel, rough-in kit, and iron.

See Page 2 for additional information

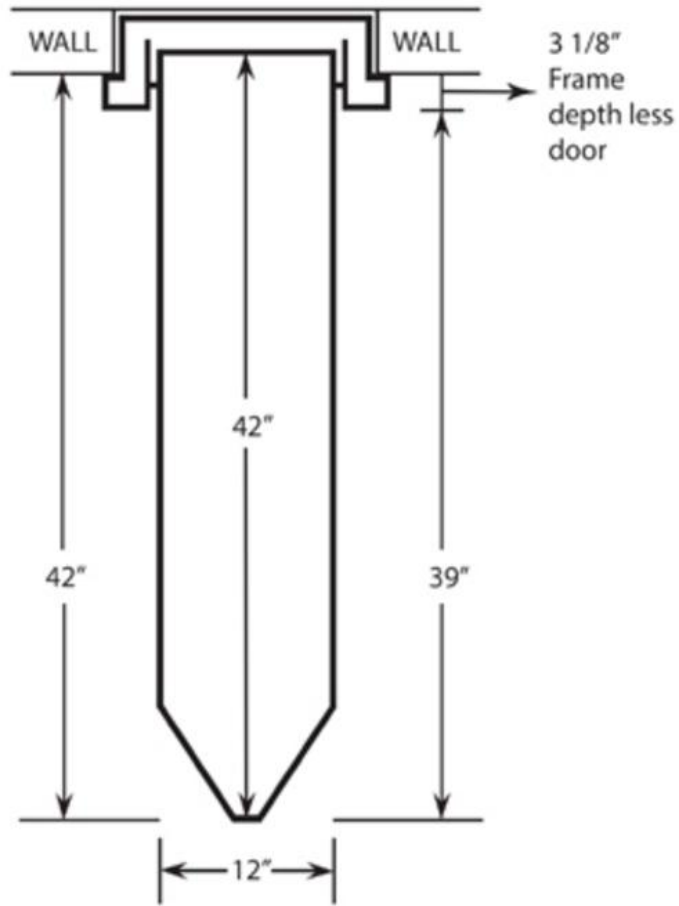


Ironing Board Height	
Cut Opening Above floor	Board Height
30"	37"
29"	36"
28"	35"
27"	34"
26"	33"
25"	32"
24"	31"
23"	30"

Page 2
Product Model E-42 and NE-42
Additional Information

Measurements when board is lowered
 (Not to Scale)

Unit can be provided with a left hinged door upon request. Right hinge is standard.
 Door opens approximately 180°. Allow at least 16" from side of cabinet.



Recommended Adequate Space/Clearance for Ironing

Distance from Wall to tip of Ironing Board	42"
Swivel Clearance from cutout opening of cabinet	N/A
Distance from Wall in Full Swivel Position	N/A
Standing Area Clearance **	24"

** The recommended distance from the side of the ironing board where the user will typically stand to ensure adequate space for ironing.

Product Model Numbers Ironing Centers: UD-42

Dimensions (Actual Size)

Overall height: 60 5/8"
 Overall width: 15"
 Overall depth including door: 7 3/4"
 Dimension from wall to outer edge of door (when recessed): 3 7/8"
 Penetration into opening: 3 7/8"
 Wall opening height: 59 15/16"
 Wall opening width: 14 3/8"
 Wall opening depth: 3 7/8"

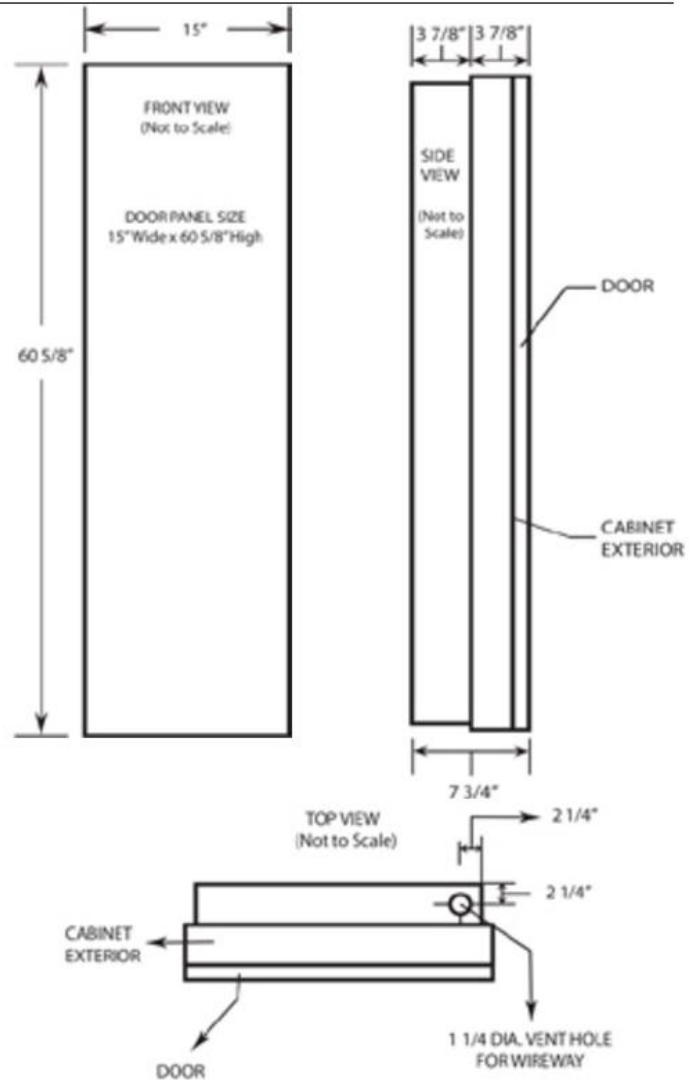
Opening dimensions listed above Overlap distances when using wall

Top overlap: 3/8"
 Bottom overlap: 3/8"
 Right side overlap: 3/8"
 Left side overlap: 3/8"

Additional Information

- Unit may be surface mounted (unit extends approximately 7 3/4" into room) or recessed (unit extends approximately 3 7/8" into room) into any wall with standard 16" center studs.
- See table bottom right to determine desired ironing board height above the floor. The user can adjust height of board after installation with a 4" differential between a maximum and minimum height.
- Unit can be provided with a left hinged door upon request. Right hinge is standard.
- Comes standard with wood veneer door.
- Electrical requirements: 115/120v, 15 amp. Pigtailed are provided in bottom of wire raceway for hookup to supply line. Make entrance into knockout provided in top of wire way through right-hand vent hole.
- Recommended to attach 2" x 4" cleats to studs, level with the bottom of opening (for support when recessing unit.)
- Door opens approximately 180°. Allow at least 16" to the side of the unit for door to swing open (door hinges on full length piano hinge.)
- Options include: Surface mount trim (necessary for surface mounting), oak, maple, pine, or white raised panel door, flat white door, glass mirrored door, or no door, sleeveboard, rough-in kit, and iron.

See Page 2 for additional information



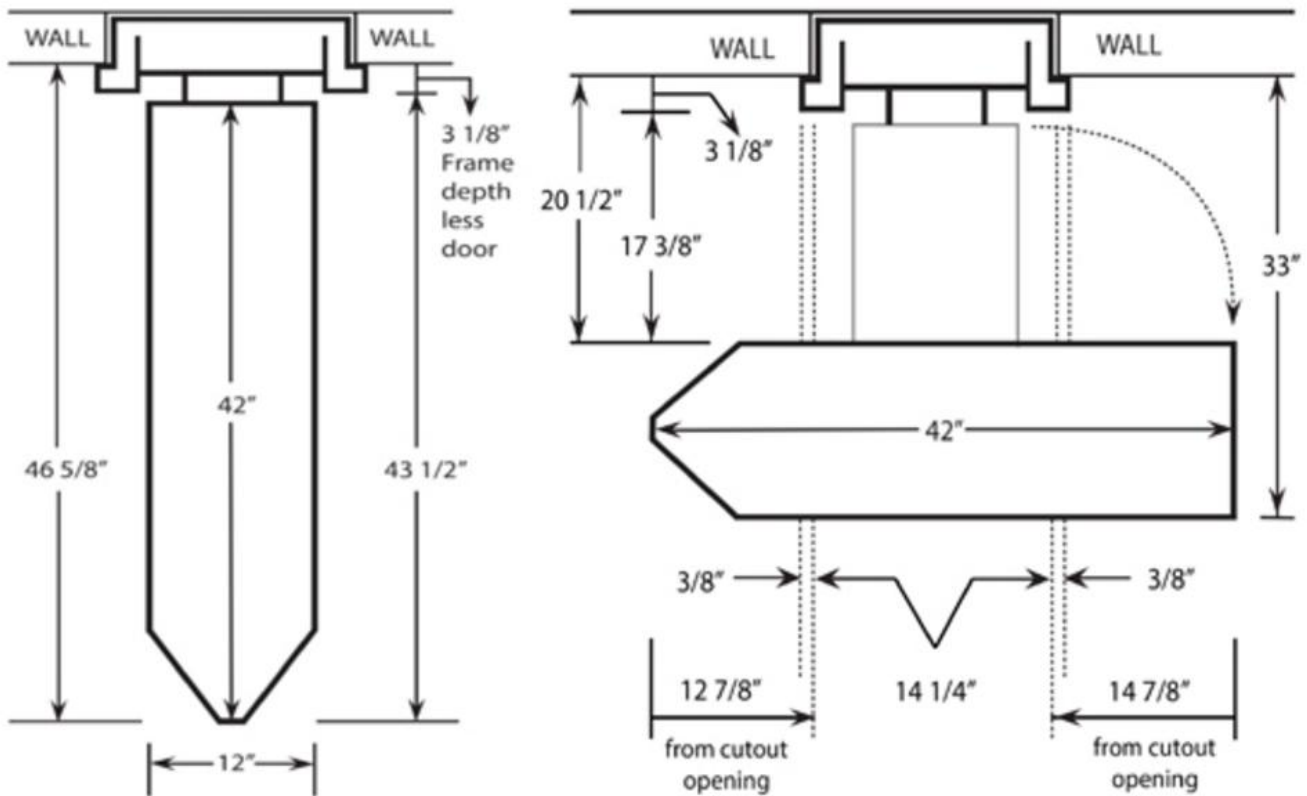
Board automatically engages to low position each time the board is lowered for use. High position requires adjustment and engages back to low position each time the board is put away.

Height Adjustments		
Cut Opening	Minimum (Default) Position	Maximum (Adjusted) Position
Above floor		
16"	32"	36"
15"	31"	35"
14"	30"	34"
13"	29"	33"
12"	28"	32"
11"	27"	31"

Page 2
Product Model UD-42
Additional Information

Measurements when board is lowered
 (Not to Scale)

Unit can be provided with a left hinged door upon request. Right hinge is standard.
 Door opens approximately 180°. Allow at least 16" from side of cabinet.
 Board can be turned left or right 90° in either direction until parallel with the wall.
 Additionally, there are conveniently placed stopping points as the board is being turned.



Recommended Adequate Space/Clearance for Ironing

Distance from Wall to tip of Ironing Board	46 5/8"
Swivel Clearance from cutout opening of cabinet	14 7/8"
Distance from Wall in Full Swivel Position	33"
Standing Area Clearance **	24"

** The recommended distance from the side of the ironing board where the user will typically stand to ensure adequate space for ironing.

Product Model Numbers Ironing Centers: IAW-42

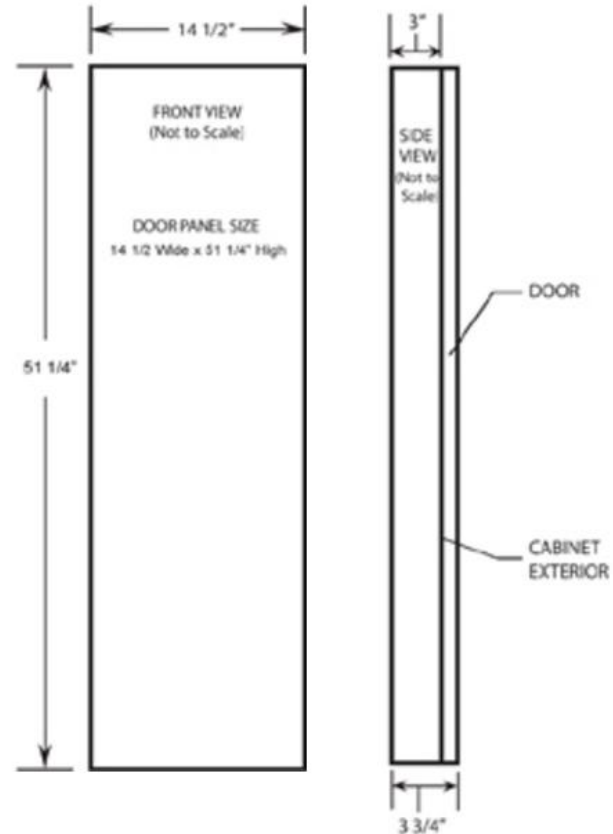
Dimensions (Actual Size)

Overall height: 51 1/4"
 Overall width: 14 1/2"
 Overall depth including door: 3 3/4"
 Dimension from wall to outer
 Edge of frame (when recessed): Flush
 Penetration into opening: 3"
 Rough opening height: 51 1/4"
 Rough opening width: 14 3/8"
 Wall opening depth: 3 7/8"

Additional Information

- Unit may be surface mounted (extends into the room 3 3/4") or can be recessed (door only extends into room for a flush mount) into any wall with standard 16" center studs.
- See table bottom right to determine desired ironing board height above the floor.
- Unit can be provided with a left piano hinge door upon request. Right hinge is standard. For flush mount special hinges are required.
- Comes standard with wood veneer door.
- Recessed mounting - Recommended to attach 2" x 4" cleat to studs, level with the bottom of opening (for support.)
- Door opens approximately 180°. Allow at least 16" to the side of the unit for door to swing open.
- Options include: flat white door, no door, sleeveboard, special hinges (recess applications), and iron.

See Page 2 for additional information

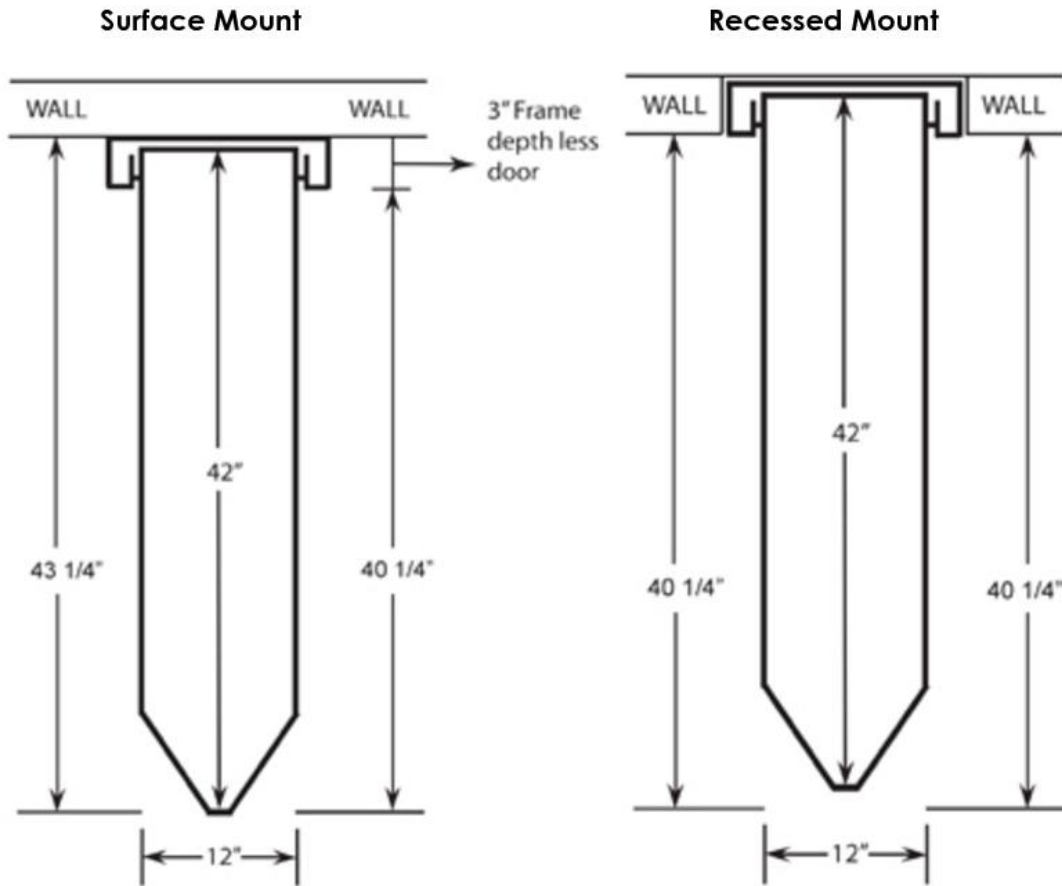


Ironing Board Height Surface Mount or Recessed	
Cut Opening Above floor	Board Height
28"	35"
27"	34"
26"	33"
25"	32"
24"	31"
23"	30"
22"	29"

Page 2
Product Model IAW-42
Additional Information

Measurements when board is lowered
 (Not to Scale)

Unit can be provided with a left hinged door upon request. Right hinge is standard. Door opens approximately 180°. Allow at least 16" from side of cabinet. Special hinges required for recessed mounting.

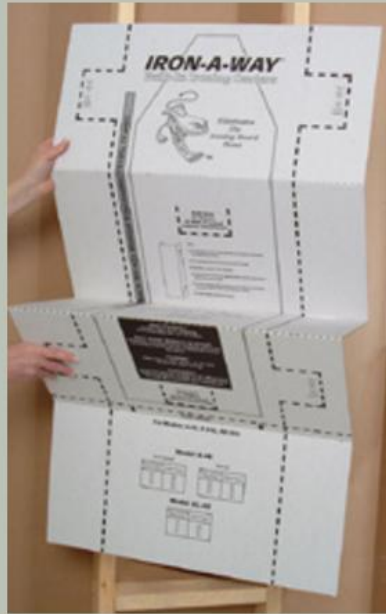


Recommended Adequate Space/Clearance for Ironing

Distance from Wall to tip of Ironing Board (Surface Mount)	43 1/4"
(Recessed Mount)	40 1/4"
Swivel Clearance from cutout opening of cabinet	N/A
Distance from Wall in Full Swivel Position	N/A
Standing Area Clearance **	24"

** The recommended distance from the side of the ironing board where the user will typically stand to ensure adequate space for ironing.

INSTALLATION



Rough-In Kit

The Rough-In Kit is available for use prior to drywall being installed. Great for new construction or open wall reconstruction when remodeling.

The Rough-In Kit simplifies installation at a later date when the room is completed and wall coverings and trim have been applied.

Installation Requirements

Assemble the required tools and parts before starting the installation. Read and follow the instructions provided using the tools listed.

Tools Needed:



Stud Finder (Optional) 1/4" Nut Driver (Optional)
Carpenter's Level 1/8" Drill Bit
Tape Measure Safety Glasses
Utility Knife Phillips Screwdriver
Small Flat Head Screwdriver
Drill (Electric Recommended)
1/4 in. drill bit (Surface Mount)

Parts Supplied:

Look for the small plastic bag attached to the bottom bar of the ironing board. This bag contains the supplied parts.

Non-swivel Model

4 #10 x 1 1/2 in. wood screws for cabinet when recessed installation
2 #14 x 3 1/2 in. wood screws for cabinet when surface mounting

Swivel Model

2 #10 x 1 1/2 in. screws for top cabinet when recessed installation
2 #14 x 2 1/2 in. Phillips screws for top side brackets
2 #14 x 3 1/2 in. wood screws for cabinet when surface mounting

IRON-A-WAY

You must verify the default position of the ironing board before installing the ironing center. Refer to the Ironing Board Height Chart below for the proper height of the various installation configurations. Make sure you use the correct model when selecting your board height.

IRONING BOARD HEIGHT CHART

Opening Height Above Floor	AE-46 ANE-46		E-46 NE-46	AE-42 ANE-42		E-42 NE-42	UD-42		IAW-42
	Ironing Board Height	Regular Position	Adjusted Position	Ironing Board Height	Regular Position	Adjusted Position	Regular Position	Adjusted Position	Regular Position
29"				36"	40"	36"			36"
28"				35"	39"	35"			35"
27"				34"	38"	34"			34"
26"				33"	37"	33"			33"
25"	36"	40"	36"						
24"	35"	39"	35"						
23"	34"	38"	34"						
22"	33"	37"	33"						
21"									
20"									
16"							32"	36"	
15"							31"	35"	
14"							30"	34"	
13"							29"	33"	

NOTE: The user can adjust height of board after installation of "A" Models with a 4 in. differential from regular height to a maximum adjusted position.

- Using a stud finder, locate the wall studs to be used for mounting.
- Locate the existing wiring or other utilities in the wall to prevent drilling into or severing a wire or other utility during installation.
- Determine the desired location has adequate clearance for ironing. Door opens approximate 180 degrees. Allow at least 16" from side of cabinet for door to swing open.

	AE-46 ANE-46	E-46 NE-46	AE-42 ANE-42	E-42 NE-42	UD-42	IAW-42
Distance from Wall to tip of Ironing Board	50 7/8"	46 1/4"	46 7/8"	42"	46 5/8"	43 1/4"
Swivel Clearance from cutout opening	16 7/8"	NA	14 5/8"	NA"	14 7/8"	NA
Distance from wall in full swivel position	32 1/2"	NA	32 7/8"	NA"	33"	NA
Standing area Clearance **	24"	24"	24"	24"	24"	24"

** The recommended distance from the side of the ironing board where the user will typically stand to ensure adequate space for ironing.

- Cut an opening in the wall per the opening sizes shown below.

Model	Opening Size
AE-46, ANE-46, & UD-42	14 3/8" x 59 7/8" x 3 7/8"
AE-42 and ANE-46	14 3/8" x 51 1/4" x 3 7/8"
E-46 and NE-46	14 3/8" x 59 7/8" x 3 7/8"
E-42 and NE-42	14 3/8" x 51 1/4" x 3 7/8"

- Attach 2" x 4" cross support cleat between the studs, level with the bottom of the opening.
- The cabinet will be attached to studs using four screws, one in each side of the top of cabinet and one in each side at bottom of cabinet. Using a 1/8" drill bit, pre-drill holes approximately 14" from the top of the cabinet and 1 1/2" from the back of the cabinet. For models without a swivel, pre-drill pilot hole approximately 14" from the bottom and 1 1/2" from the back of the cabinet. For models with a swivel board, complete Steps 7, 8, and 9 before pre-drilling pilot holes for bottom location.

NOTE: If an electrical model is being installed, the temporary removal of the electrical wireway may be helpful to complete this step. Reinstall electrical wireway after cabinet is attached to studs.

- If installing an electrical model, please review Electrical Instructions (Page 30) now. If installing a non-electrical model, do not install your own electrical outlet inside the cabinet. Warranty will be voided if independent electrical outlet is installed within non-electrical ironing center cabinet.
- Begin installation by carefully lifting ironing center into the wall opening.
- Plumb and level the cabinet. Shim to fit.
- For models with swivels, continue with Step 11. For models without swivels, attach cabinet to studs using the four pre-drilled holes with four #10 x 1 1/2" screws. Once complete, continue to Step 12.
- Attach cabinet to studs using the two #10 x 1/2" screws for the top installation. Locate the side ironing board brackets that are secured to the cabinet with three screws each. Remove the top screw only from each side bracket. Use this location to pre-drill pilot holes for bottom installation. Pre-drill a pilot hole through top hole in each bracket into stud. Finish attaching cabinet into studs using the #14 x 2 1/2" screws for the just completed two pre-drilled holes in each side bracket.
- Decorative trim may be added to cover any irregularity on wall.

You must verify the default position of the ironing board before installing the ironing center. Refer to the Ironing Board Height Chart below for the proper height of the various installation configurations. It is also recommended when surface mounting recessed units, a surface mount kit be installed.

IRONING BOARD HEIGHT CHART

Opening Height Above Floor	AE-46 ANE-46		E-46 NE-46	AE-42 ANE-42		E-42 NE-42	UD-42		IAW-42
	Ironing Board Height Regular Position	Ironing Board Height Adjusted Position	Ironing Board Height Regular Position	Ironing Board Height Regular Position	Ironing Board Height Adjusted Position	Ironing Board Height Regular Position	Ironing Board Height Regular Position	Ironing Board Height Adjusted Position	Ironing Board Height Regular Position
29"				36"	40"	36"			36"
28"				35"	39"	35"			35"
27"				34"	38"	34"			34"
26"				33"	37"	33"			33"
25"	36"	40"	36"						
24"	35"	39"	35"						
23"	34"	38"	34"						
22"	33"	37"	33"						
21"									
20"									
16"							32"	36"	
15"							31"	35"	
14"							30"	34"	
13"							29"	33"	

NOTE: The user can adjust height of board after installation of "A" Models with a 4 in. differential from regular height to a maximum adjusted position.

1. Using a stud finder, locate the wall stud to be used for mounting. Stud should be located as close to the center of cabinet as possible.
2. Locate the existing wiring or other utilities in the wall to prevent drilling into or severing a wire or other utility during installation.
3. Determine the desired location has adequate clearance for ironing. Door opens approximate 180 degrees. Allow at least 16" from side of cabinet for door to swing open.

	AE-46 ANE-46	E-46 NE-4	AE-42 ANE-42	E-42 NE-42	UD-42	IAW-42
Distance from Wall to tip of Ironing Board	54 3/4"	50 1/8"	50 3/4"	46 7/8"	50 1/2"	43 1/4"
Swivel Clearance from cutout opening	16 7/8"	NA	14 5/8"	NA	14 7/8"	NA
Distance from wall in full swivel position	36 3/8"	NA	36 3/4"	NA	36 7/8"	NA
Standing area Clearance **	24"	24"	24"	24"	24"	24"

** The recommended distance from the side of the ironing board where the user will typically stand to ensure adequate space for ironing.

4. Using a 3/16" drill bit, pre-drill a pilot hole into the wall stud where the cabinet will be attached to the wall taking care that the installation height is as desired.
5. Determine the proper mounting screw location inside cabinet so mounting position is located on wall stud as intended. Location for mounting screw should be as close to the center of the cabinet as possible.
6. Using a 1/4" drill bit, pre-drill hole in the upper and lower cross braces located inside the cabinet as determined in the previous step taking care that the holes in both braces are drilled to same measurement.
7. Partially start mounting #14 x 3 1/2" screw into upper cross brace for installation of ironing center.
8. If installing an electrical model, please review Electrical Instructions (Page 30) now. If installing a non-electrical model, do not install your own electrical outlet inside the cabinet. Warranty will be voided if independent electrical outlet is installed within non-electrical ironing center cabinet.
9. Begin installation by carefully lifting the ironing center into position.
10. Attach cabinet to wall by fully inserting the screw in the upper cross brace into the pre-drilled hole in the wall stud.
11. Plumb and level the cabinet. Shim if necessary. Tighten cabinet to wall by fully turning installation screw.
12. Insert second #14 x 3 1/2" screw into pre-drilled hole in bottom brace of cabinet and attach to wall making sure cabinet remains level and square.
13. Decorative trim may be added to cover any irregularity on wall.

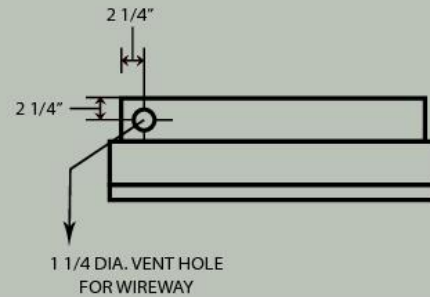
Additional recommendation: On all adjustable swivel models, locate the side ironing board brackets that are secured to the cabinet with three screws each. Remove the top screw only from each side bracket. Use this location to pre-drill pilot holes into trim. Insert into the two pre-drilled holes in each side bracket #14 x 1" screws (not included.)

Electrical Requirements

WARNING: TURN OFF POWER AT SERVICE ENTRANCE BEFORE INSTALLING, WIRING OR SERVICING THIS PRODUCT.

All electrical work must be done in accordance with all applicable electrical codes.

NOTE: Opening in the top of the ironing center cabinet for the electrical supply wire is located 2 1/4" on center from left side of cabinet and 2 1/4" on center from the back of the cabinet on all electrical models, except UD-42. The UD-42 supply wire is located 2 1/4" on center from the right side of cabinet and 2 1/4" on center from the back of the cabinet.



Supply Line: 110 Volt / 15 Amps, Regular Romex Wire

1. Open the front cover by removing the screw at the top and bottom of the electrical wireway.

Note: In the front cover of the electrical wireway, near the top, there is a loose black and a loose white wire pigtail that are provided for hookup to the electrical supply line.

2. Locate and remove the knockout at the top of the back cover of the electrical wireway and install a 3/8" romex connector where the knockout was removed.
3. Verify that there is ample supply wire available to run from the top of the ironing center cabinet to the approximate location of the electrical pigtails. (A free wire length of approximately 48" is recommended.)
4. Begin to place the ironing center into its location while feeding the free supply wire through the opening in the top of the ironing center cabinet and the 3/8" romex connector attached to the back cover of the electrical wireway.
5. Put into place and secure the ironing center cabinet as identified in Step 9 through 12 of the Recessed Mounting or Step 10 through 13 of Surface Mounting whichever mounting method is applicable.
6. Connect all power supply wires and ground wires in accordance with all electrical codes. Trim as necessary excess supply wire.
7. Place into position the top cover of the electrical wireway making sure no wires are pinched whenever reinstalling the top cover to the back cover. Reinstall the top screw and bottom screw removed in Step 1 into the electrical wire cover.
8. Turn on power at Service Entrance to test and verify that electrical components (timer or on/off switch, automatic disconnect switch, electrical outlet) are working properly.

ABOUT US

As early as the 1920's, built-in ironing boards were common in many homes around the United States. These boards were typically built on the job site by the builder and made completely out of wood.

By 1925, established millwork distributors offered dealers the opportunity to provide the builder a finished product rather than building them on the jobsite. These manufacturers represented the beginning of the "ironing center industry" as we know it today.

Beginning in 1956, IRON-A-WAY started its distribution to the commercial market. Overtime, the product line became widely acceptable for use in the residential market as well. IRON-A-WAY was committed to continually developing their product line by incorporating innovative features to redefine and surpass the old fashion way of ironing. One revision was increasing the length of the ironing board from 36" to 42", which now has become the industry standard.

By 1973, the Aristocrat of our ironing centers (Model A-46) debuted at the National Association of Home Builders Tradeshow in Houston, TX. Its 46" adjustable ironing board with timer controlled electricity was the first of its kind and became the standard by which all built-in ironing boards were compared. Throughout the remaining years of the decade demand continually grew. As many dealers pioneered our product line with high end appliances, it wasn't long before built-in ironing centers by IRON-A-WAY became the industry preferred ironing center.

By the 1980's, within the homebuilder market, IRON-A-WAY's product demand had reached meaningful levels and throughout the 1990's IRON-A-WAY continued its growth by educating architects, builders, and consumers in an effort to widen distribution. The 2000's conveyed the growth of the internet, the formal construction of our website, expanded distribution, and continual product improvement.

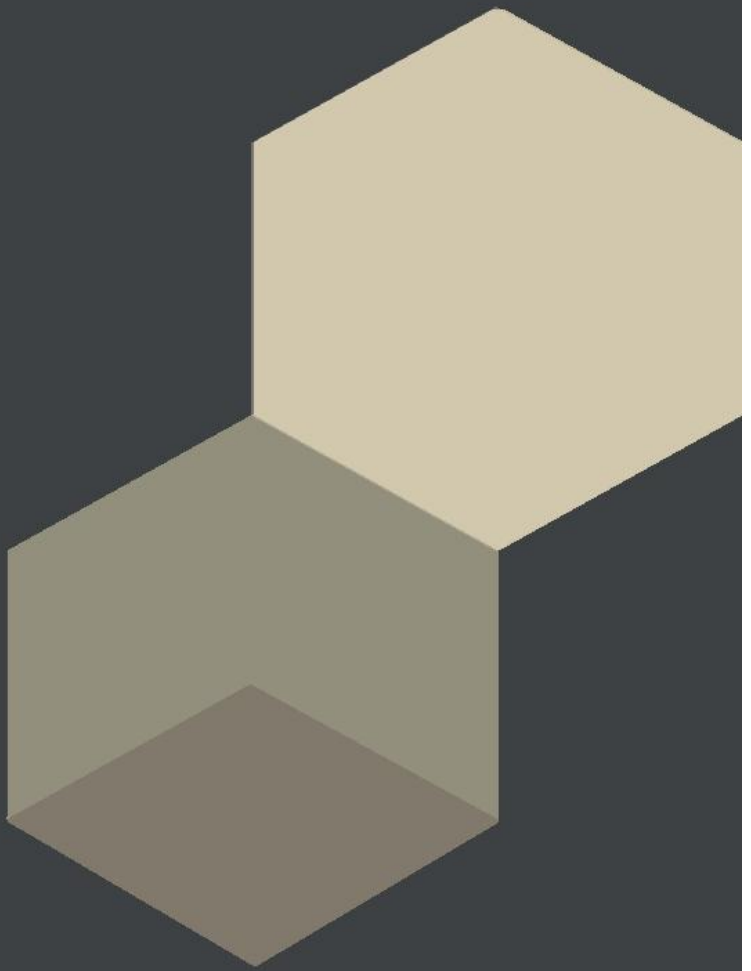


In 2010 and beyond, IRON-A-WAY continues its dedication to improve its value to its customers and improve its product line to remain as the leading manufacturer of quality built-in ironing centers.

"Each employee at IRON-A-WAY is dedicated to bringing to our customer the very best in a built-in ironing center."



Reginald Smidt | President of IRON-A-WAY, Inc.



IRON-A-WAY, Inc. • 220 W. Jackson • Morton, Illinois 61550-1551 • (309) 266-7232
Fax (309) 266-5088 • E-mail: info@ironaway.com • Web: www.ironaway.com